

OVER AND UNDER VOLTAGE RELAY



Protects equipment from abnormal and sustained voltage fluctuations(over and under) in the mains supply by automatic isolation control

- ◆ **Protects equipment from damaging by abnormal fluctuation voltages**
- ◆ **1ph and 3ph with load current up to 250A**
- ◆ **Offers basic protection for the load with surge diverter**
- ◆ **Voltage sensing circuitry protected by surge filter**
- ◆ **Wide user defined threshold voltage levels**
- ◆ **LED status indication**
- ◆ **Remote monitoring**



Protects equipment from damaging by abnormal fluctuation voltages -

Abnormal voltage fluctuations outside the operating range of an equipment can cause catastrophic damages. OUR series over and under voltage relay is designed to isolate the equipment from the supply instantly. It will reconnect to the supply only after the power supply voltage back to safety level and the delay time set by user.

1ph and 3ph with load current up to 250A - OUR series has single and three phase models with load current from 20A to 250A to suit different load requirements.

Offers basic protection for the load with surge diverter - considering that surges from the load can loop back to the upstream and cause damage to other nearby upstream equipment. A surge diverter is connected at the load side of this OUR as a free basic surge protection.

Voltage sensing circuitry protected by surge filter - the electronic circuitry of the over and under voltage monitoring relay can be

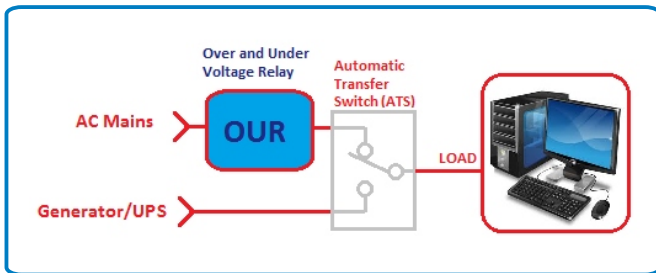
damaged easily if left unprotected. A series connected surge filter is integrated into all models of this OUR to ensure continuous operation and keep the user peace of mind.

Wide user defined threshold voltage levels - User can set the under and over change-over threshold voltages between minus and plus 25 percent of the nominal voltage as required.

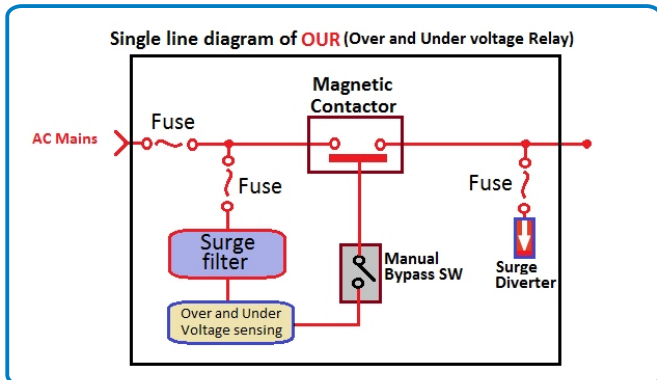
LED status indication - All models have LED indicators per phase to monitor the integrity of protection.

Remote monitoring - All models features voltage free contacts with normal open/normal close contacts which change state to indicate a fault. It can be interfacing with intelligent building management systems for remote indication. In addition, the RMP signal interface can be connected to optional Remote Monitoring Panel(RMP-05) which offers both visual and audible alarm at remote location

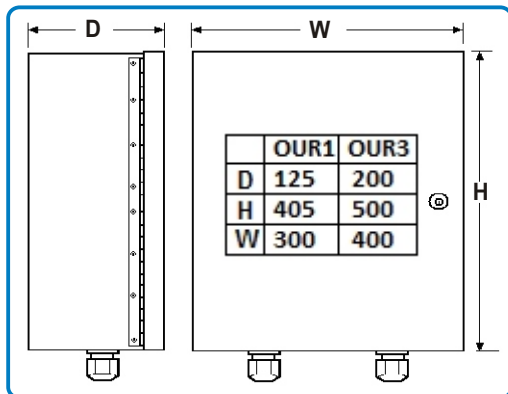
Installation



Functional block diagram



Dimensions



Ordering information

MODEL	DESCRIPTION	WEIGHT
OUR120	Over and under voltage relay, 1 ph, 20A	6.3Kg
OUR132	Over and under voltage relay, 1 ph, 32A	6.3Kg
OUR140	Over and under voltage relay, 1 ph, 40A	6.5Kg
OUR163	Over and under voltage relay, 1 ph, 63A	7.3Kg
OUR180	Over and under voltage relay, 1 ph, 80A	8.6Kg
OUR1100	Over and under voltage relay, 1 ph, 100A	9.3Kg
OUR1125	Over and under voltage relay, 1 ph, 125A	9.8Kg
OUR320	Over and under voltage relay, 3 ph, 20A	12.1Kg
OUR332	Over and under voltage relay, 3 ph, 32A	12.1Kg
OUR340	Over and under voltage relay, 3 ph, 40A	13.4Kg
OUR363	Over and under voltage relay, 3ph, 63A	14.2Kg
OUR380	Over and under voltage relay, 3 ph, 80A	15.5Kg
OUR3100	Over and under voltage relay, 3ph, 100A	17.1Kg
OUR3125	Over and under voltage relay, 3ph, 125A	17.9Kg
OUR3250	Over and under voltage relay, 3ph, 250A	19.5Kg

Notes:

- (1) Other load current are available on request, e.g. 50A, 150A, 200A,
- (2) Optional surge counter is available on request.
- (3) Galvanized steel alloy(power coated)
- (4) IP55 enclosure

General Specifications

Over/Under Voltage Relay:	
Nominal voltage, Un:	230Vac(1 ph), 380Vac(3 ph), 50Hz
Working voltage:	0-420Vac (L-N)
Over-voltage set point:	100-125% (adjustable)
Under-voltage set point:	75%-100% (adjustable)
Switching delay:	≤ 150ms
Contactor type	20-250A
Reset hysteresis:	1-15% (adjustable)
Set point repeatability:	Better than 0.5%
Approvals:	UL recognized up to 300V CSA approved up to 240V
Display:	LED status indication
Operating temperature, Tu:	-40-85°C
Humidity:	0-95%(R.H.)
Altitude:	0-3650m
Surge filter and diverter:	(For over and under voltage relay protection)
SPD class(EN/IEC)	Class II/Type 2
Max. surge rating:	50KA, 8/20µs
Nominal surge rating:	20KA, 8/20µs
Voltage protection level, Up:	<700V @ 3KA, 8/20us---Surge Diverter <600V @ 3KA, 8/20us---Surge Filter
Protection mode:	L-N, L-PE, N-PE
Response time, ta:	<1ns
Earth leakage current:	<1µA
Standards compliance:	BS EN/IEC61643-11 IEEE C62.41-1991 IEEE C62.41.2-2002 UL1449 4th edition
EMC compliance:	BS EN 60950: 2001 BS EN 61000-6-7: 2015
Status indicator:	LED
Other options:	Surge counter(add "IC")
Alarm(volt free contact):	N/O, N/C(2A @250Vac)
Alarm conductor size:	2.5mm ²
Wiring terminals:	35mm ²

LEPS Technologies Ltd.
<http://www.lepstech.com>
 Email: sales@lepstech.com