

DC LINE DINRAIL DIVERTER



DDD series is designed for any DC power systems such as photovoltaic (PV) power or other DC power supply systems used in industrial and commercial environments located in low to medium exposure areas

- ◆ All mode protection
- ◆ Highest safety standard design
- ◆ High surge handling capability up to 120KA
- ◆ LED status indication
- ◆ Remote monitoring
- ◆ Redundant protection segments(80KA or above)
- ◆ Remote Monitoring Panel
- ◆ Fits into most switching box



All mode protection - LEPS DDD series surge diverters provides state-of-the-art protection for any DC power supply systems by rapidly diverts excess transient surges to ground that exist between positive to ground, negative to ground, away from your sensitive equipment.

Highest safety standard design - It has been engineered to the industry's safest criteria for full compliance with ULI1449 Edition2&3 by using a specially designed aluminum enclosure. Also with its patented thermal and short circuit fusing included, it ensures safe isolation during sustained abnormal over-voltage events and component failure.

High surge handling capability up to 120KA per line - 120KA per line surge handling capability makes DDD series protectors an economical choice for any DC power protection.

LED status indication - All models have LED indicators per line to monitor the integrity of protection.

Remote monitoring - Models with

suffix A features voltage free contacts with normal open/normal close contacts which change state to indicate a fault. It can be interfacing with intelligent building management systems for remote indication.

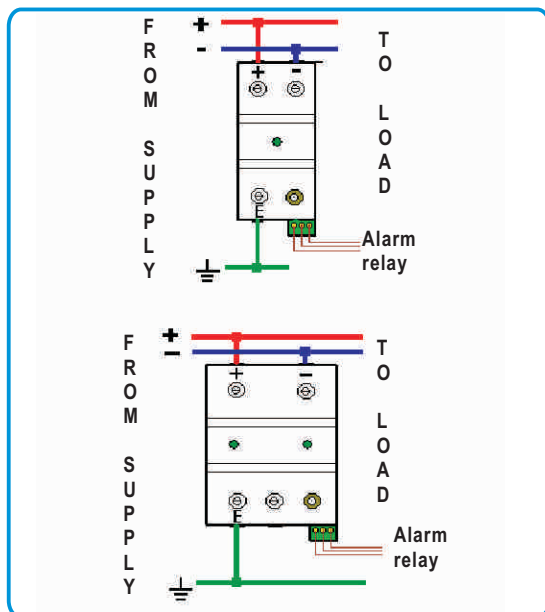
Redundant protection segment - 80KA or above models employs two to independent fused and thermal overload protection elements to provide back-up protection for continued equipment survival despite a fault condition. This means you are never left unprotected.

Remote Monitoring Panel (RMP) - Apart from the built-in LED status indication and voltage free change over alarm, an optional Remote Monitoring Panel interface can be chosen which can be connected to RMP to offer both visual and audible alarm at remote location.

Fits into most switching box - It's compact design match the profile of most common MCBs at used which makes it ideal for inclusion in distribution or switchboard by mounting on the DIN43880 DIN rail.

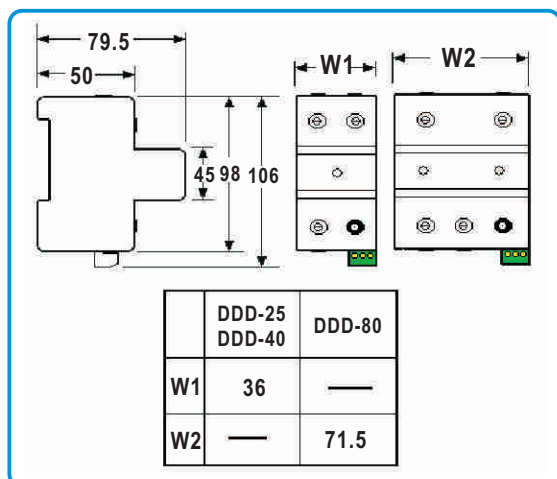
Installation

The diverters are connected in parallel with the protected system (load) as illustrated below:



For detail installation requirements, pls refer to relevant user manual.

Dimensions



Voltage range

MODEL	NOMINAL VOLTAGE (U _n)	MAXIMUM VOLTAGE (U _c)
DDD-10/V12	12V	21V
DDD-10/V24	24V	42V
DDD-10/V36	36V	62V
DDD-10/V48	48V	82V
DDD-10/V72	72V	120V
DDD-10/V110	110V	190V
DDD-10/V125	125V	215V
DDD-25I	110V	200V
DDD-25J	220V	335V
DDD-25K	330V	490V
DDD-25L	500V	800V
DDD-40I	110V	200V
DDD-40J	220V	335V
DDD-40K	330V	490V
DDD-40L	500V	800V
DDD-80I	110V	200V
DDD-80J	220V	335V
DDD-80K	330V	490V
DDD-80L	500V	800V

General Specifications

SPD class(EN/IEC):	Class I+II/Type 1+2																						
Max. discharge current, I_{max}:	<table border="1"> <tbody> <tr><td>DDD-10/Vx</td><td>10KA(8/20μs)</td></tr> <tr><td>DDD-25/Vx</td><td>25KA(8/20μs)</td></tr> <tr><td>DDD-40/Vx</td><td>40KA(8/20μs)</td></tr> <tr><td>DDD-80/Vx</td><td>80KA(8/20μs)</td></tr> </tbody> </table>	DDD-10/Vx	10KA(8/20μs)	DDD-25/Vx	25KA(8/20μs)	DDD-40/Vx	40KA(8/20μs)	DDD-80/Vx	80KA(8/20μs)														
DDD-10/Vx	10KA(8/20μs)																						
DDD-25/Vx	25KA(8/20μs)																						
DDD-40/Vx	40KA(8/20μs)																						
DDD-80/Vx	80KA(8/20μs)																						
Max. working voltage, U_c:	See Voltage range																						
Voltage protection level, U_p:	<table border="1"> <tbody> <tr><td>DDD-10/V12</td><td>53V</td></tr> <tr><td>DDD-10/V24</td><td>110V</td></tr> <tr><td>DDD-10/V36</td><td>135V</td></tr> <tr><td>DDD-10/V48</td><td>165V</td></tr> <tr><td>DDD-10/V72</td><td>250V</td></tr> <tr><td>DDD-10/V110</td><td>395V</td></tr> <tr><td>DDD-10/V125</td><td>53V</td></tr> <tr><td>DDD-xxI</td><td>395V</td></tr> <tr><td>DDD-xxJ</td><td>710V</td></tr> <tr><td>DDD-xxK</td><td>1025V</td></tr> <tr><td>DDD-xxL</td><td>1650V</td></tr> </tbody> </table>	DDD-10/V12	53V	DDD-10/V24	110V	DDD-10/V36	135V	DDD-10/V48	165V	DDD-10/V72	250V	DDD-10/V110	395V	DDD-10/V125	53V	DDD-xxI	395V	DDD-xxJ	710V	DDD-xxK	1025V	DDD-xxL	1650V
DDD-10/V12	53V																						
DDD-10/V24	110V																						
DDD-10/V36	135V																						
DDD-10/V48	165V																						
DDD-10/V72	250V																						
DDD-10/V110	395V																						
DDD-10/V125	53V																						
DDD-xxI	395V																						
DDD-xxJ	710V																						
DDD-xxK	1025V																						
DDD-xxL	1650V																						
Earth leakage current:	10μA																						
Protection mode:	Transverse and common																						
Response time, t_a:	<5ns																						
Standards compliance:	BS EN/IEC61643-11 AS1768-2007 cat.A.B.C IEEE C62.41 cat.A.B.C CP33-1999 cat.A.B.C UL1449 2nd & 3rd edition																						
Alarm isolation:	4KV																						
Status indicator:	LED (Green=OK)																						
Optional remote alarm:	Siren sound, OK and FAIL LED																						
Alarm(volt free contact):	N/O, N/C(2A @250Vac)																						
Alarm conductor size:	2.5mm ²																						
Conductor size:	16mm ²																						
Case material:	Anodized aluminum																						
Mounting:	35mm DIN rail (DIN 43880)																						
Operating temperature, T_u:	-40-85°C																						
Humidity:	0-95%(R.H.)																						
Altitude:	0-3650m																						
Weight:	<table border="1"> <tbody> <tr><td>DDD-10/Vx</td><td>180g</td></tr> <tr><td>DDD-25x</td><td>230g</td></tr> <tr><td>DDD-40x</td><td>260g</td></tr> <tr><td>DDD-80x</td><td>320g</td></tr> </tbody> </table>	DDD-10/Vx	180g	DDD-25x	230g	DDD-40x	260g	DDD-80x	320g														
DDD-10/Vx	180g																						
DDD-25x	230g																						
DDD-40x	260g																						
DDD-80x	320g																						

ORDERING INFORMATION



MODEL	PRODUCT DESCRIPTION	PHOTO/DRAWING
DDD-10/V12	DC Line DIN rail Diverter, 10KA, 12Vdc	
DDD-10/V24	DC Line DIN rail Diverter, 10KA, 24Vdc	
DDD-10/V36	DC Line DIN rail Diverter, 10KA, 36Vdc	
DDD-10/V48	DC Line DIN rail Diverter, 10KA, 48Vdc	
DDD-10/V72	DC Line DIN rail Diverter, 10KA, 72Vdc	
DDD-10/V110	DC Line DIN rail Diverter, 10KA, 110Vdc	
DDD-10/V125	DC Line DIN rail Diverter, 10KA, 125Vdc	
DDD-10S/V12	DC Line DIN rail Diverter, 10KA, 12Vdc, with RMP signal interface	
DDD-10S/V24	DC Line DIN rail Diverter, 10KA, 24Vdc, with RMP signal interface	
DDD-10S/V36	DC Line DIN rail Diverter, 10KA, 36Vdc, with RMP signal interface	
DDD-10S/V48	DC Line DIN rail Diverter, 10KA, 48Vdc, with RMP signal interface	
DDD-10S/V72	DC Line DIN rail Diverter, 10KA, 72Vdc, with RMP signal interface	
DDD-10S/V110	DC Line DIN rail Diverter, 10KA, 110Vdc, with RMP signal interface	
DDD-10S/V125	DC Line DIN rail Diverter, 10KA, 125Vdc, with RMP signal interface	
DDD-10A/V12	DC Line DIN rail Diverter, 10KA, 12Vdc, with dry contact alarm	
DDD-10A/V24	DC Line DIN rail Diverter, 10KA, 24Vdc, with dry contact alarm	
DDD-10A/V36	DC Line DIN rail Diverter, 10KA, 36Vdc, with dry contact alarm	
DDD-10A/V48	DC Line DIN rail Diverter, 10KA, 48Vdc, with dry contact alarm	
DDD-10A/V72	DC Line DIN rail Diverter, 10KA, 72Vdc, with dry contact alarm	
DDD-10A/V110	DC Line DIN rail Diverter, 10KA, 110Vdc, with dry contact alarm	
DDD-10A/V125	DC Line DIN rail Diverter, 10KA, 125Vdc, with dry contact alarm	
DDD-10AS/V12	DC Line DIN rail Diverter, 10KA, 12Vdc, with dry contact alarm and RMP signal interface	
DDD-10AS/V24	DC Line DIN rail Diverter, 10KA, 24Vdc, with dry contact alarm and RMP signal interface	
DDD-10AS/V36	DC Line DIN rail Diverter, 10KA, 36Vdc, with dry contact alarm and RMP signal interface	
DDD-10AS/V48	DC Line DIN rail Diverter, 10KA, 48Vdc, with dry contact alarm and RMP signal interface	
DDD-10AS/V72	DC Line DIN rail Diverter, 10KA, 72Vdc, with dry contact alarm and RMP signal interface	
DDD-10AS/V110	DC Line DIN rail Diverter, 10KA, 110Vdc, with dry contact alarm and RMP signal interface	
DDD-10AS/V125	DC Line DIN rail Diverter, 10KA, 125Vdc, with dry contact alarm and RMP signal interface	
DDD-25I	DC Line DIN rail Diverter, 25KA, 110Vdc	
DDD-25J	DC Line DIN rail Diverter, 25KA, 220Vdc	
DDD-25K	DC Line DIN rail Diverter, 25KA, 330Vdc	
DDD-25L	DC Line DIN rail Diverter, 25KA, 500Vdc	
DDD-40I	DC Line DIN rail Diverter, 40KA, 110Vdc	
DDD-40J	DC Line DIN rail Diverter, 40KA, 220Vdc	
DDD-40K	DC Line DIN rail Diverter, 40KA, 330Vdc	
DDD-40L	DC Line DIN rail Diverter, 40KA, 500Vdc	
DDD-25IS	DC Line DIN rail Diverter, 25KA, 110Vdc, with RMP signal interface	
DDD-25JS	DC Line DIN rail Diverter, 25KA, 220Vdc, with RMP signal interface	
DDD-25KS	DC Line DIN rail Diverter, 25KA, 330Vdc, with RMP signal interface	
DDD-25LS	DC Line DIN rail Diverter, 25KA, 500Vdc, with RMP signal interface	
DDD-40IS	DC Line DIN rail Diverter, 40KA, 110Vdc, with RMP signal interface	
DDD-40JS	DC Line DIN rail Diverter, 40KA, 220Vdc, with RMP signal interface	
DDD-40KS	DC Line DIN rail Diverter, 40KA, 330Vdc, with RMP signal interface	
DDD-40LS	DC Line DIN rail Diverter, 40KA, 500Vdc, with RMP signal interface	

MODEL	PRODUCT DESCRIPTION	PHOTO/DRAWING
DDD-25IA	DC Line DIN rail Diverter, 25KA, 110Vdc, with dry contact alarm	
DDD-25JA	DC Line DIN rail Diverter, 25KA, 220Vdc, with dry contact alarm	
DDD-25KA	DC Line DIN rail Diverter, 25KA, 330Vdc, with dry contact alarm	
DDD-25LA	DC Line DIN rail Diverter, 25KA, 500Vdc, with dry contact alarm	
DDD-40IA	DC Line DIN rail Diverter, 40KA, 110Vdc, with dry contact alarm	
DDD-40JA	DC Line DIN rail Diverter, 40KA, 220Vdc, with dry contact alarm	
DDD-40KA	DC Line DIN rail Diverter, 40KA, 330Vdc, with dry contact alarm	
DDD-40LA	DC Line DIN rail Diverter, 40KA, 500Vdc, with dry contact alarm	
DDD-25IAS	DC Line DIN rail Diverter, 25KA, 110Vdc, with dry contact alarm and RMP signal interface	
DDD-25JAS	DC Line DIN rail Diverter, 25KA, 220Vdc, with dry contact alarm and RMP signal interface	
DDD-25KAS	DC Line DIN rail Diverter, 25KA, 330Vdc, with dry contact alarm and RMP signal interface	
DDD-25LAS	DC Line DIN rail Diverter, 25KA, 500Vdc, with dry contact alarm and RMP signal interface	
DDD-40IAS	DC Line DIN rail Diverter, 40KA, 110Vdc, with dry contact alarm and RMP signal interface	
DDD-40JAS	DC Line DIN rail Diverter, 40KA, 220Vdc, with dry contact alarm and RMP signal interface	
DDD-40KAS	DC Line DIN rail Diverter, 40KA, 330Vdc, with dry contact alarm and RMP signal interface	
DDD-40LAS	DC Line DIN rail Diverter, 40KA, 500Vdc, with dry contact alarm and RMP signal interface	
DDD-80I	DC Line DIN rail Diverter, 80KA, 110Vdc	
DDD-80J	DC Line DIN rail Diverter, 80KA, 220Vdc	
DDD-80K	DC Line DIN rail Diverter, 80KA, 330Vdc	
DDD-80L	DC Line DIN rail Diverter, 80KA, 500Vdc	
DDD-80IS	DC Line DIN rail Diverter, 80KA, 110Vdc, with RMP signal interface	
DDD-80JS	DC Line DIN rail Diverter, 80KA, 220Vdc, with RMP signal interface	
DDD-80KS	DC Line DIN rail Diverter, 80KA, 330Vdc, with RMP signal interface	
DDD-80LS	DC Line DIN rail Diverter, 80KA, 500Vdc, with RMP signal interface	
DDD-80IA	DC Line DIN rail Diverter, 80KA, 110Vdc, with dry contact alarm	
DDD-80JA	DC Line DIN rail Diverter, 80KA, 220Vdc, with dry contact alarm	
DDD-80KA	DC Line DIN rail Diverter, 80KA, 330Vdc, with dry contact alarm	
DDD-80LA	DC Line DIN rail Diverter, 80KA, 500Vdc, with dry contact alarm	
DDD-80IAS	DC Line DIN rail Diverter, 80KA, 110Vdc, with dry contact alarm and RMP signal interface	
DDD-80JAS	DC Line DIN rail Diverter, 80KA, 220Vdc, with dry contact alarm and RMP signal interface	
DDD-80KAS	DC Line DIN rail Diverter, 80KA, 330Vdc, with dry contact alarm and RMP signal interface	
DDD-80LAS	DC Line DIN rail Diverter, 80KA, 500Vdc, with dry contact alarm and RMP signal interface	
<p><i>* Polycarbonate and metal enclosure for the above DDD series protectors are available</i></p> <p><i>* Other surge ratings (50KA, 60KA, etc) and voltage levels are available on request</i></p>		

