

Offers cost-effective protection for twisted pair signal line, coaxial video line and power line in a single protector

- ◆ **Signal line, coaxial line and power line protection in one single protector**
- ◆ **Multi-stage protection offers exceptional safety**
- ◆ **All mode protection**
- ◆ **Full range of voltage**
- ◆ **Engineered for easy installation**
- ◆ **Five years warranty**



Signal line, coaxial line and power line protection in one single protector

- The DCP series of protectors offer a flexible surge protection for any twisted pair signal line together with coaxial line of video signal and power line protection. It is the most cost effective and space saving solution for the most demanding protection requirements.

Multi-stage protection offers exceptional safety - Each of the three protected lines in DCP series employed sophisticated hybrid circuitry by using a combination of high energy gas, MOV discharge tube, ultra fast diodes and SAD which ensures excellent protections without impeding normal operation.

All mode protection - DCP protectors offers all mode (transverse and common) and repeated surge protection for the power line, video line and signal line.

Full range of voltage - Any kind of control, communication or automation lines, DCP series of protectors has the suitable voltage models to fulfill users' expectations. They can be used in fire

and security systems, PLC, railway signalling, computer communications, SCADA and any other signal voltage.

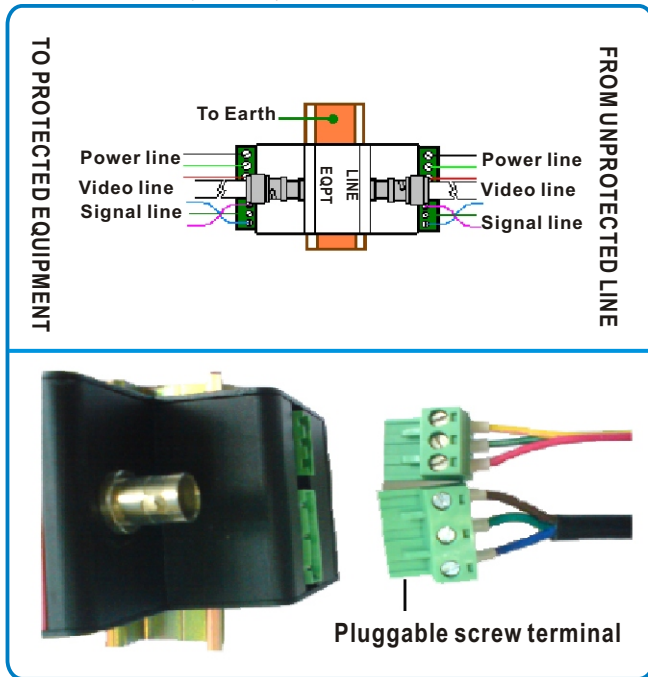
Engineered for easy installation -

The wiring are done by a pluggable terminal strip for easy installation and service. The protectors can be easily secured onto a standard Top Hat DIN rail.

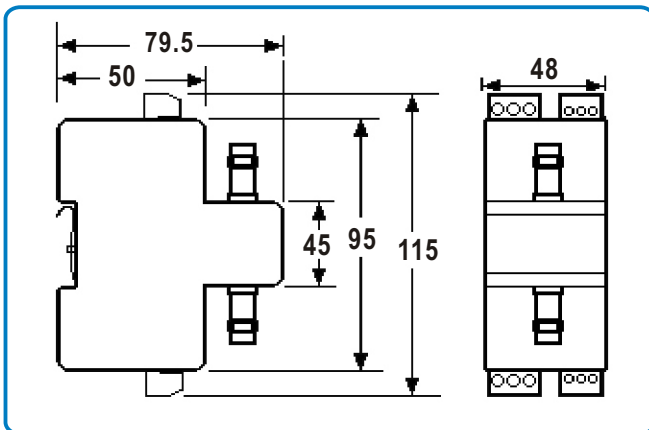
Five years warranty - All LEPS protectors are tested to comply with many international safety standards and with five years warranty.

Installation

For detail installation requirements, pls refer to relevant user manual.



Dimensions



Voltage range

MODEL	MAX. WORKING VOLTAGE, (Uc)		VOLTAGE PROTECTION LEVEL, (Up)	
	Signal line	Power line	Signal line	Power line
DCP-V5/12	7V	16V	14V	30V
DCP-V5/24	7V	30V	14V	50V
DCP-V5/110	7V	130V	14V	450V
DCP-V5/220	7V	280V	14V	750V
DCP-V12/12	17V	16V	23V	30V
DCP-V12/24	17V	30V	23V	50V
DCP-V12/110	17V	130V	23V	450V
DCP-V12/220	17V	280V	23V	750V
DCP-V24/12	34V	16V	43V	30V
DCP-V24/24	34V	30V	43V	50V
DCP-V24/110	34V	130V	43V	450V
DCP-V24/220	34V	280V	43V	750V
DCP-V24/12	68V	16V	79V	30V
DCP-V24/24	68V	30V	79V	50V
DCP-V24/110	68V	130V	79V	450V
DCP-V24/220	68V	280V	79V	750V

General Specifications

Power Line:

Max. discharge current, I_{max} : 10KA(8/20 μ s)

Earth leakage current: <0.2mA

Efficiency: 99%

Voltage drop: <2V (at full load)

Terminal type & capacity: pluggable terminal strip, 2.5mm²

Signal Line:

Max. discharge current, I_{max} : 20KA(8/20 μ s)

Max. data rate: 20Mb/s

Max. Operating current I_L : 300mA

Insertion loss: <1dB at 20MHz

Earth leakage current: <5 μ A

In line resistance: 3.9 Ω

Connector type: Pluggable terminal strip

Video Line:

Max. discharge current, I_{max} : 20KA(8/20 μ s)

Max. working voltage, U_c : 8V

Voltage protection level, U_p : 14V(at 5kv, 10/700 μ s)

Insertion loss: <1dB at 20MHz

3dB frequency: 80MHz

Cable impedance: 50 Ω , (75 Ω available)

Connector type: BNC female to male (other types available)

Common specifications:

SPD class(EN/IEC): TYPE 2/Class II

Response time, t_A : <5ns

Protection modes: common and transverse

Protection stages: 3 stages

Standards compliance: BS EN/IEC 61643-11---power line
BS EN/IEC 61643-21---Video/coaxial line
AS1768-2007 Cat.A.B.C
CP33-1996 Cat.A.B.C
IEEE C62.41 Cat.A.B.C
UL497B

Earth connection: DIN clip

Case material: Anodized aluminum

Operating temperature, T_u : -40-85°C



Humidity: 0-95%(R.H.)

Altitude: 0-3650m

Weight: ~310g

ORDERING INFORMATION



MODEL	PRODUCT DESCRIPTION	PHOTO/DRAWING
DCP-V24/12/R/F	Dinrail combination protector, with twisted signal pair, video coaxial line (BNC female to female 75Ω) and power line protection	
DCP-V24/24/R/F	Dinrail combination protector, with twisted signal pair, video coaxial line (BNC female to female 75Ω) and power line protection	
DCP-V24/110/R/F	Dinrail combination protector, with twisted signal pair, video coaxial line (BNC female to female 75Ω) and power line protection	
DCP-V24/220/R/F	Dinrail combination protector, with twisted signal pair, video coaxial line (BNC female to female 75Ω) and power line protection	
DCP-V48/12/R/F	Dinrail combination protector, with twisted signal pair, video coaxial line (BNC female to female, 75Ω) and power line protection	
DCP-V48/24/R/F	Dinrail combination protector, with twisted signal pair, video coaxial line (BNC female to female, 75Ω) and power line protection	
DCP-V48/110/R/F	Dinrail combination protector, with twisted signal pair, video coaxial line (BNC female to female, 75Ω) and power line protection	
DCP-V48/220/R/F	Dinrail combination protector, with twisted signal pair, video coaxial line (BNC female to female, 75Ω) and power line protection	
* Other voltage levels are available on request		
* Other types of connector for the coaxial line are available on request, e.g N type or F type etc.		
* The coaxial line connector of the above models is BNC female to male OR female to female, if male to male is required, add /M at the suffix of the model		



LEPS Technologies Ltd.
<http://www.lepstech.com>
 Email: sales@lepstech.com