

Disconnection Plug

For opening a single pair of disconnection contacts in LSA-PLUS disconnection modules.

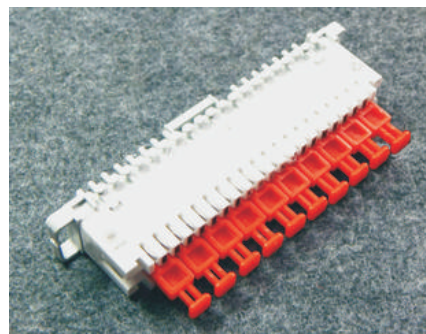
Model: DP-1

Material: Thermoplastic-PVC/ABS, UL94-V0

Color: Red

Weight: ~1.5g

Packing: 100 pcs per pack



Installation example

Earth Rod Clip

For mounting on steel profile rod, use with DB-8R/10R

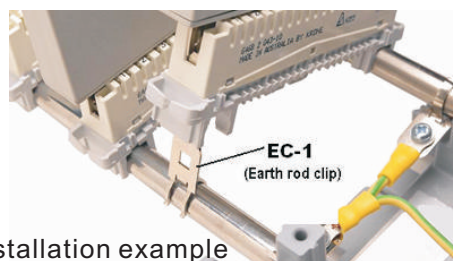
Model: EC-1

Material: Stainless steel

Color: Grey

Weight: ~2.3g

Packing: 100 pcs per pack



Installation example

Disconnection Module

For mounting on back mount frame

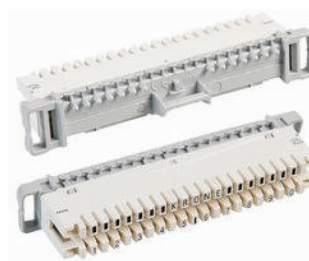
Model: DB-8B(8 pair), DB-10B(10 pair)

Material: Thermoplastic-PBT/ABS, UL94-V0

Color: Grey

Weight: DB-8B(~42g), DB-10B(~50g)

Packing: 10 pcs per pack



Disconnection Module

For mounting on steel profile rod

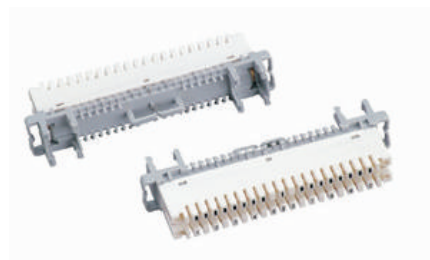
Model: DB-8R(8 pair), DB-10R(10 pair)

Material: Thermoplastic-PBT/ABS, UL94-V0

Color: Grey

Weight: DB-8B(~45g), DB-10B(~54g)

Packing: 10 pcs per pack





KRONE LSA-PLUS Accessories

Back Mount Frame

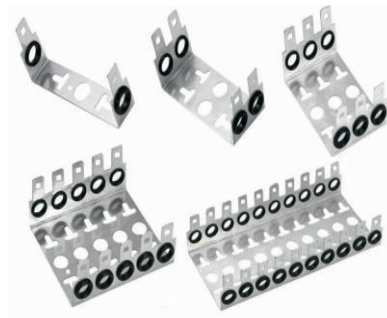
For mounting LSA-PLUS 10 or 8 pair disconnection modules.

Model: MF-10(ten ways), MF-5(five ways),
MF-2(two ways), MF-1(one way).....OR
Any ways specified by customer

Material: Stainless Steel

Color: Grey

Wire protection ring: plastic, 2 pieces with each way



10-pair Label Holder

For showing the row number, the block number and the cable number

Model: LH-10,

Material: Thermoplastic-PVC/ABS, UL94-V0

Color: Grey

Packing: 100 pcs per pack



Gas arrestor

For mounting on 3-pole protection magazine

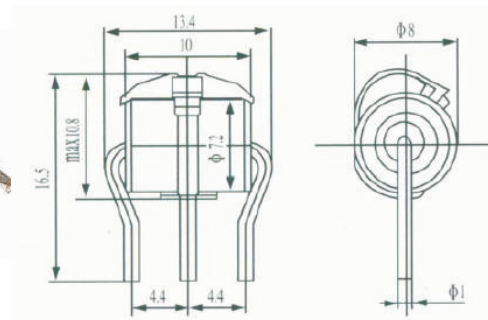
Model: 3R230P-FS1, with Fail Safe design

DC Spark over voltage: 230V+/-20%, 350V+/-20%

Max. discharge current: $I_{max} : 20KA(8/20\mu s)$

Nominal discharge current: $I_n : 10KA(8/20\mu s)$

Packing: 100 pcs per pack



Krone Insertion Tool

For terminating wires into LSA-PLUS disconnection modules and removing modules or wires from tag

Model: PT-18A

Material: Thermoplastic-PVC/ABS, UL94-V0

Color: Grey

Packing: 100 pcs per pack



LEPS Technologies Ltd.
<http://www.lepstech.com>
Email: sales@lepstech.com